



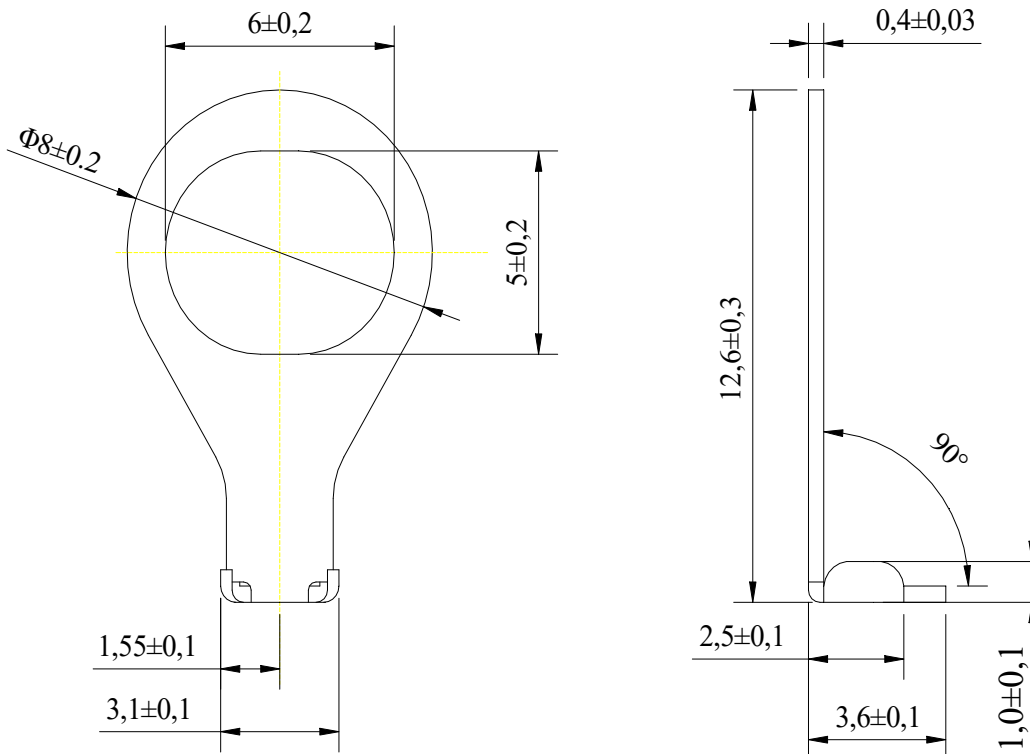
**Features**

The BT025-040 fuse terminal is made of copper with nickel plated surface. It is mainly used for connections in electrical circuits. This specification refers to model BT025-040 .

- Material: copper H62, semi-hard
- Thickness: 0.4mm±0.03mm
- Pb- and Halogen-free, RoHS compliant
- Smooth Surface
- Soldering temperature: 260±5°C
- Nickel plated
- Surface clean and oil free
- 2000 pcs per bag



Dimensions (unit in mm)



**Ordering Information**

Series	Part No.	Supplementary Code	Qty
BT025-040			